

MVE-D "Explosion Proof"



EX-STOCK DELIVERY
2 YEAR WARRANTY
INTERCHANGEABLE
WITH MOST COMMON
FOOTPRINTS



MAINTENANCE-FREE

OLI's greased for life bearing solution does not require periodical re-greasing



EXPLOSION PROOF DESIGN

Certified for use in hazardous locations



MOISTURE SHIELD

OLI's sealing system avoids water and moisture infiltration



**VIBRATORS
DESIGNED FOR
HAZARDOUS
ENVIRONMENTS**





MVE-D 4 poles - Explosion Proof - 50 Hz / 60 Hz



Wm (kgcm)		Model		Centrifugal Force (kg)		ELECTRICAL SPECIFICATIONS									
						Input Power (kW)		Nominal Current A max. (Y)		Ia / In (Ampere)		Cable Type	Cable Gland		
						50Hz	60Hz	400V 50Hz	460V 60Hz	50Hz	60Hz	Class Temp.	Class Temp.		
57	39	MVE 700/15D-50A0		714	712	0.6	0.7	1.3	1.4	3.0	3.2	4G2,5	3/4" NPT		
89	57	MVE 1100/15D-50A0	MVE 1100/18D-50A0	1,114	1,028	0.6	0.8	1.5	1.7	3.8	3.8	110°C	110°C		
109	77	MVE 1400/15D-60A0	MVE 1400/18D-60A0	1,364	1,388	0.9	1.1	1.7	1.8	4.0	4.0	4G4 110 °C	3/4" NPT 110°C		
1377	92	MVE 1700/15D-60A0	MVE 1700/18D-60A0	1,725	1,664	1.1	1.3	2.2	2.1	4.7	4.5				
188	137	MVE 2400/15D-60A0	MVE 2400/18D-60A0	2,358	2,485	1.6	1.9	3.0	3.2	4.9	4.9				
109	77	MVE 1400/15D-60A1	MVE 1400/18D-60A1	1,364	1,388	0.9	1.1	1.7	1.8	4.0	4.0				
137	92	MVE 1700/15D-60A1	MVE 1700/18D-60A1	1,725	1,664	1.1	1.3	2.2	2.1	4.7	4.5				
188	137	MVE 2400/15D-60A1	MVE 2400/18D-60A1	2,358	2,485	1.6	1.9	3.0	3.2	4.9	4.9	4G4 110°C	3/4" NPT 110°C		
203	136	MVE 2500/15D-70A0	MVE 2500/18D-70A0	2,557	2,454	1.8	2.0	3.4	3.4	6.0	6.1				
249	170	MVE 3000/15D-70A0	MVE 3000/18D-70A0	3,124	3,071	1.9	2.3	3.7	3.8	6.5	6.6				
203	136	MVE 2500/15D-70B0	MVE 2500/18D-70B0	2,557	2,454	1.8	2.0	3.4	3.4	6.0	6.1				
249	170	MVE 3000/15D-70B0	MVE 3000/18D-70B0	3,124	3,071	1.9	2.3	3.7	3.8	6.5	6.6				
203	136	MVE 2500/15D-70C0	MVE 2500/18D-70C0	2,557	2,454	1.8	2.0	3.4	3.4	6.0	6.1				
249	170	MVE 3000/15D-70C0	MVE 3000/18D-70C0	3,124	3,071	1.9	2.3	3.7	3.8	6.5	6.6	4G6 110 °C	3/4" NPT 110°C		
307	205	MVE 3800/15D-75A0	MVE 3800/18D-75A0	3,853	3,704	2.2	2.6	4.1	4.1	6.8	6.8				
193	193	MVE 3811/15D-75A0	MVE 3811/18D-75A0	2,425	3,492	2.2	2.6	4.1	4.1	6.8	6.8				
343	241	MVE 4300/15D-75A0	MVE 4300/18D-75A0	4,312	4,359	2.5	3.0	5.7	5.8	7.0	7.2				
307	205	MVE 3800/15D-75C0	MVE 3800/18D-75C0	3,853	3,704	2.2	2.6	4.1	4.1	6.8	6.8				
193	193	MVE 3811/15D-75C0	MVE 3811/18D-75C0	2,425	3,492	2.2	2.6	4.1	4.1	6.8	6.8				
343	241	MVE 4300/15D-75C0	MVE 4300/18D-75C0	4,312	4,359	2.5	3.0	5.7	5.8	7.0	7.2				
307	205	MVE 3800/15D-75C1	MVE 3800/18D-75C1	3,853	3,704	2.2	2.6	4.1	4.1	6.8	6.8				
193	193	MVE 3811/15D-75C1	MVE 3811/18D-75C1	2,425	3,492	2.2	2.6	4.1	4.1	6.8	6.8				
343	241	MVE 4300/15D-75C1	MVE 4300/18D-75C1	4,312	4,359	2.5	3.0	5.7	5.8	7.0	7.2			4G6 110 °C	3/4" NPT 110°C
437	304	MVE 5500/15D-80A0	MVE 5500/18D-80A0	5,495	5,495	3.6	3.4	6.5	6.6	7.1	7.0				
437	304	MVE 5500/15D-80B0	MVE 5500/18D-80B0	5,495	5,495	3.6	3.4	6.5	6.6	7.1	7.0				
437	304	MVE 5500/15D-80B1	MVE 5500/18D-80B1	5,495	5,495	3.1	3.1	5.7	5.3	7.1	7.0				
437	304	MVE 5500/15D-80C0	MVE 5500/18D-80C0	5,495	5,495	3.6	3.4	6.5	6.6	7.1	7.0				
437	304	MVE 5500/15D-80C1	MVE 5500/18D-80C1	5,495	5,495	3.6	3.4	6.5	6.6	7.1	7.0				



FEATURES

OLI "Explosion Proof" vibrating motors are specifically designed for heavy duty equipment, for example on shale shakers. They are built to last in the most demanding environment without any maintenance and they can match the most popular footprints on the market.

ADVANTAGES OF OLI MVE-D

- Top quality bearings
- Greased for life = 100% maintenance free
- Excellent moisture shield
- Wide terminal box and multiple voltages available
- Easy centrifugal force adjustment

APPLICATION ADVANTAGES

- Powerful vibration and quick synchronization granted by heavy duty windings
- No more risk of grease related issues thanks to OLI's sealed bearing solution
- Easy retrofit on existing shale shakers thanks to multiple voltages and footprints

MVE-D - EXPLOSION PROOF - 4 POLES RANGE

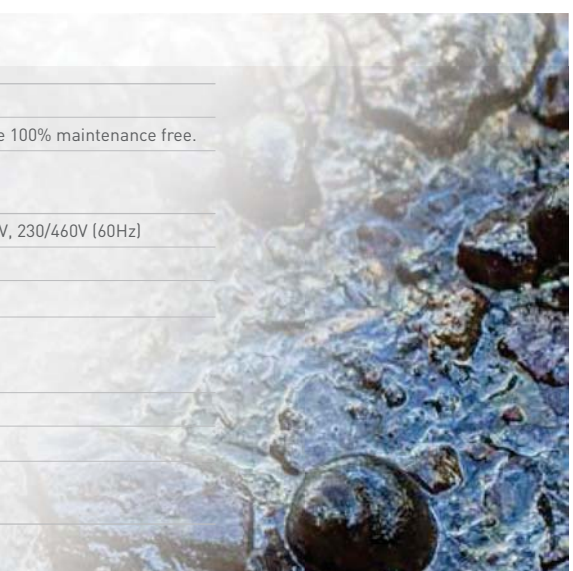
APPLICATION	Shale shakers and fluid recovery systems in general.
PROBLEM SOLVING	OLI EX-D "Explosion Proof" vibrating motors deliver high centrifugal force 100% maintenance free.

FEATURES

INPUT VOLTAGE	220-240/380-415V, 290-300/500-525V (50Hz); 330/575V, 220-277/380-480V, 230/460V (60Hz)
AMBIENT TEMPERATURE	-20 °C / +40 °C as standard, -20 °C / +55 °C on request
TYPE OF ENCLOSURE	NEMA 4 (IP 66)
CERTIFICATION	II 2GD Exd IIB T4 Ex tb IIIC Tx Db IP66 Class I Div1 Group C,D T4 IP66 Class II Div1 Group E,F,G
PROTECTION	Thermal protection 130 °C included
INSULATION CLASS	F

OPTIONS

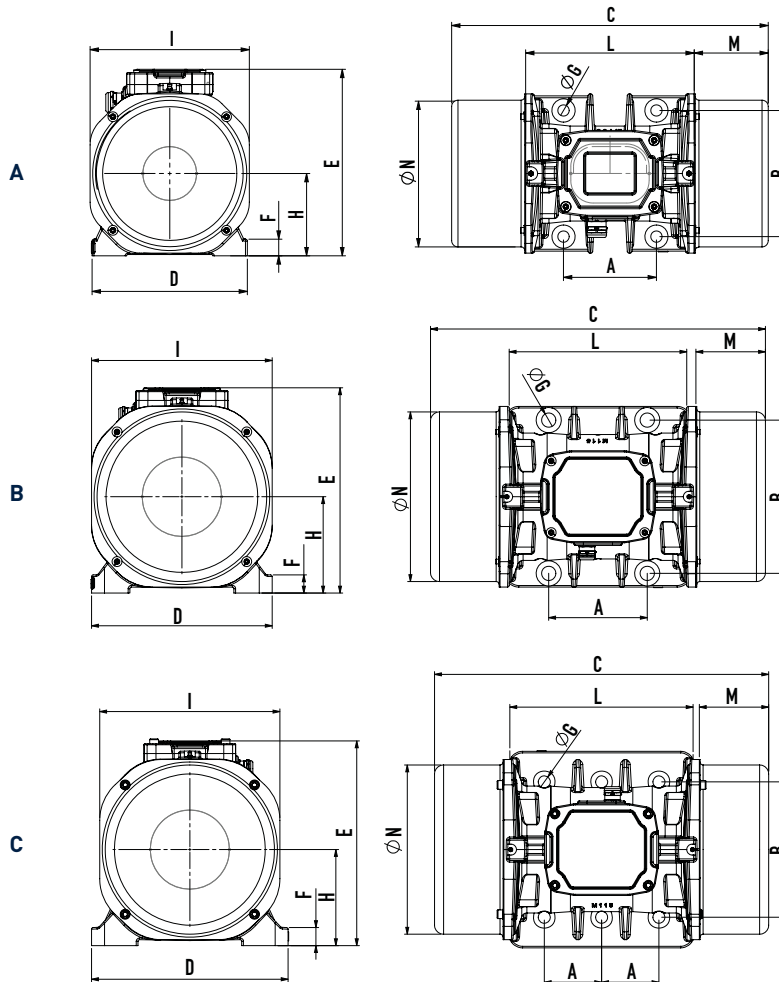
Winding heater
2,6,8 poles available



DIMENSIONAL SPECIFICATIONS



Model		DIMENSIONAL SPECIFICATIONS (mm)																		
		Drawing	Size	Holes	C		M		A	B	ØG	D	E	F	H	I	L	ØN	Screw	
					50Hz	60Hz	50Hz	60Hz												
MVE 700/15D-50A0		A	50A0	4	402	95.5														
MVE 1100/15D-50A0	MVE 1100/18D-50A0				472	396	130.5	95.5	120	170	17	209	249	28	102	186	211	165.5	M16	
MVE 1400/15D-60A0	MVE 1400/18D-60A0	A	60A0	4	477	111.5			140	190	17	234	281	25	124	240	254	221	M16	
MVE 1700/15D-60A0	MVE 1700/18D-60A0				521	133.5														
MVE 2400/15D-60A0	MVE 2400/18D-60A0				477	111.5														
MVE 1400/15D-60A1	MVE 1400/18D-60A1				521	133.5														
MVE 1700/15D-60A1	MVE 1700/18D-60A1																			
MVE 2400/15D-60A1	MVE 2400/18D-60A1										22									M20
MVE 2500/15D-70A0	MVE 2500/18D-70A0	B	70A0	4	525	123			155	225	22	274	310	32	140	256	279	235	M20	
MVE 3000/15D-70A0	MVE 3000/18D-70A0				586	153.5														
MVE 2500/15D-70B0	MVE 2500/18D-70B0	B	70B0	4	525	123			160	210	17.5	274	310	32	140	256	279	235	M16	
MVE 3000/15D-70B0	MVE 3000/18D-70B0				586	153.5														
MVE 2500/15D-70C0	MVE 2500/18D-70C0	C	70C0	6	525	123			166	230	22	274	310	32	140	256	279	235	M20	
MVE 3000/15D-70C0	MVE 3000/18D-70C0				586	153.5														
MVE 3800/15D-75A0	MVE 3800/18D-75A0	B	75A0	4					155	255	23.5									M22
MVE 3811/15D-75A0	MVE 3811/18D-75A0																			
MVE 4300/15D-75A0	MVE 4300/18D-75A0																			
MVE 3800/15D-75C0	MVE 3800/18D-75C0																			
MVE 3811/15D-75C0	MVE 3811/18D-75C0																			
MVE 4300/15D-75C0	MVE 4300/18D-75C0	C	75C0	6	596	146			83	230	22	302	329	30	150	286	304	265	M20	
MVE 3800/15D-75C1	MVE 3800/18D-75C1																			
MVE 3811/15D-75C1	MVE 3811/18D-75C1																			
MVE 4300/15D-75C1	MVE 4300/18D-75C1								105	248	23									M22
MVE 5500/15D-80A0	MVE 5500/18D-80A0	B	80A0	4					180	280										
MVE 5500/15D-80B0	MVE 5500/18D-80B0	C	80B0	6					124	305	26	330								
MVE 5500/15D-80B1	MVE 5500/18D-80B1	B	80B1	4	612	127			248	280		360	379	33	176	330	358	310	M24	
MVE 5500/15D-80C0	MVE 5500/18D-80C0	C	80C0	6					118	280		330								
MVE 5500/15D-80C1	MVE 5500/18D-80C1	C	80C1	6					105	248	22									M20



This information is furnished without warranty, representation, inducement or license of any kind. It is accurate to the best OLI knowledge or is obtained from sources believed to be accurate. OLI therefore assumes no legal responsibility.

